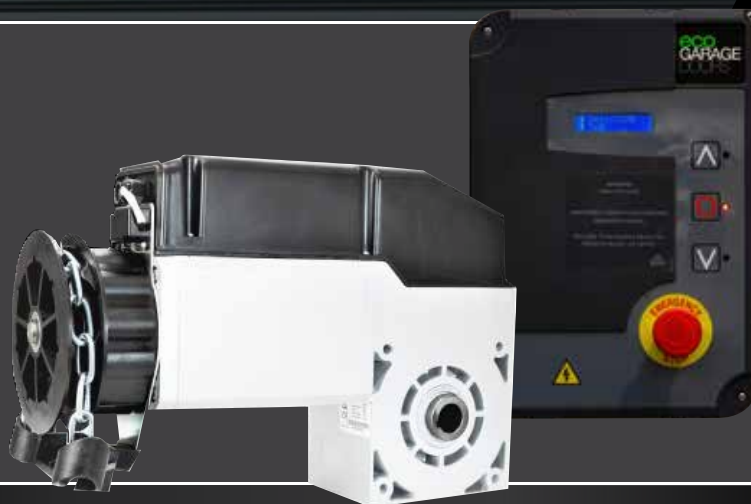


INDUSTRIAL SHUTTER DOOR OPENER

AFFORDABLE | DURABLE | RELIABLE



KEY FEATURES INCLUDE



MAINS POWER 240V / 415V VERSIONS

ECO HDS-4001: 1ph / ECO HDS-4503: 3ph



EXTERNAL CONTROL UNIT

Easy, plug-in cable sets ensure easy installation.
Standard Up / Down / Stop buttons.



EMERGENCY HAND CHAIN

Convenient operation of doors from the ground in a power outage.



ELECTRONIC LIMITS

Absolute encoder system.



HIGH DUTY CYCLE

30% Duty cycle, 20 min continuous max.



AUTOMATIC SAFETY REVERSE (PE BEAMS)*

Stop and reverse automatically if beams are obstructed while the door is going down.



AUTO CLOSE

can be set when safety system is installed.



FOUR RELAY OUTPUTS FOR ADDITIONAL FUNCTION

Photocell or safety edge, alarm lamp,
external button switch.



Compliant to Australian and New Zealand Standard
AS/NZS 60335.2.95 with AS/NZS 60335.1

ACCESSORIES INCLUDED

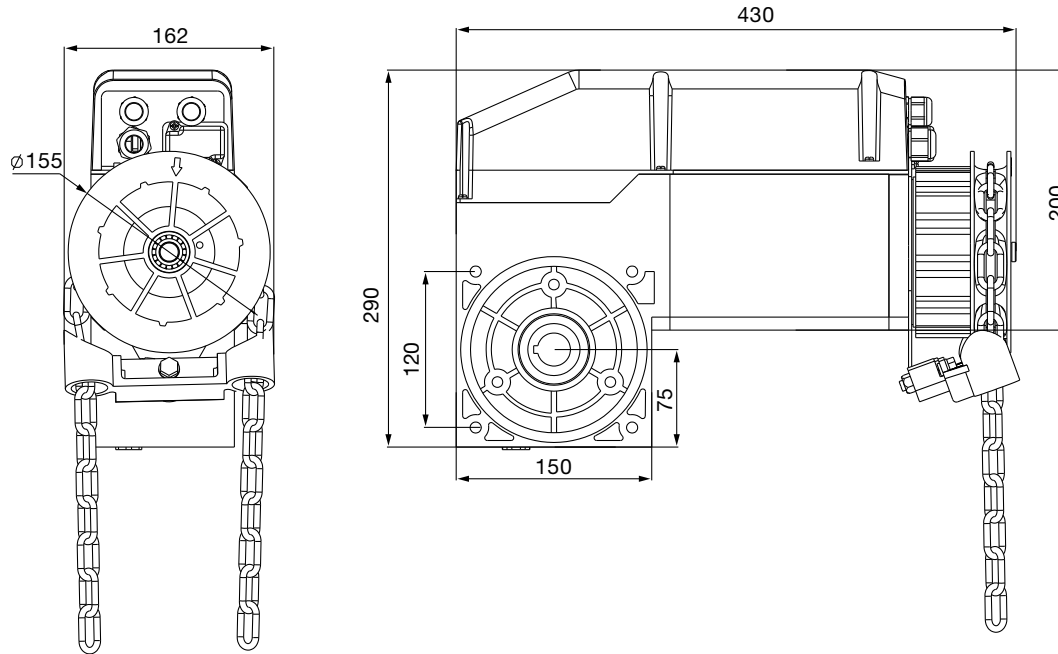
- › AVIATION PLUG: Standard with 5m optional for 8m/10m/15m*
- › STANDARD SHAFT: 25.4 – 31.75mm shaft with keys and circlip

ADD-ON ACCESSORIES*

- › MOUNTING PLATE SET
- › MOUNTING CONVERTER
- › DRIVE SPROCKET: 31.75mm, 14T /16T /18T available in 10B
- › ROLLER CHAIN: available in 10B
- › 2 REMOTES: 433.92MHz Rolling code with security

* optional extra

INDUSTRIAL ROLLER DOOR OPENER



TECHNICAL SPECIFICATIONS

	ECO HDS-4001	ECO HDS-4503
Power Supply	AC240V 1ph	AC415V 3ph
Motor Power	750W	1000W
Output Torque	140N.m	180N.m
Thermal Protection Temperature	130°C	120°C
Max. Door Size (Spring balanced)	40m ²	45m ²
Output Speed		22rpm
Reduction Ratio		57:1
Max. Rotation		18
Net Weight		22kg
Dimension	430mm x 290mm x 162mm	
Environment Temperature	-20°C ~ +50°C	
IP Rating	IP54	