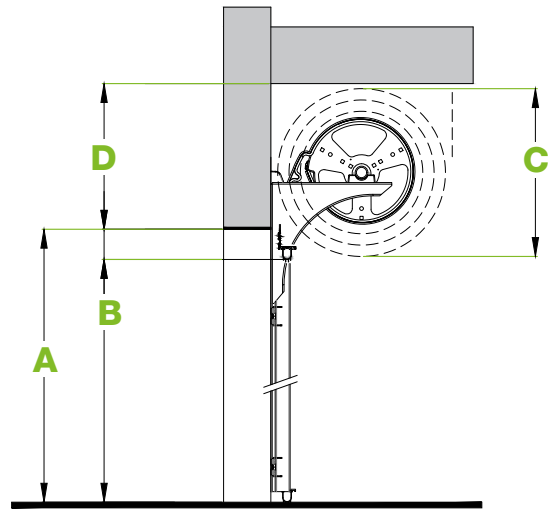
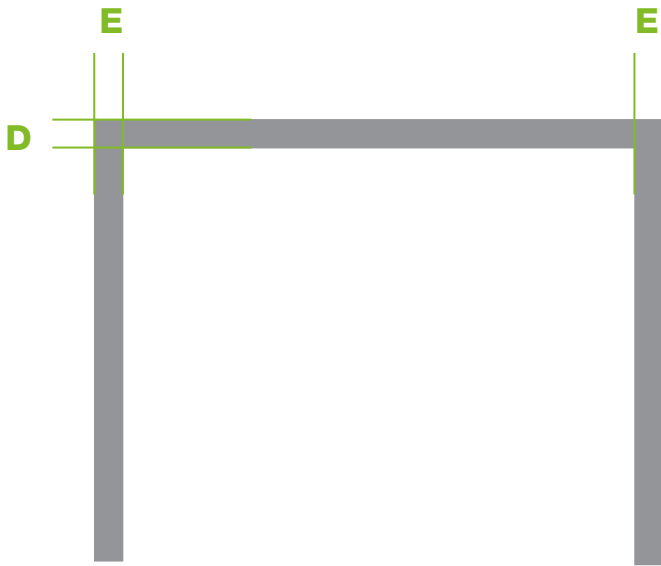


ROLLER DOOR INSTALLATION PARAMETERS



		Total No. of Panels Including pre-roll layer		
		3 panel	4 panel	5 panel
A	Max Door Opening Height (Floor to Lintel)*	1750mm	2580mm	3100mm
B	Max Drive Through Height (Floor to bottom of Rubber)*	1670mm	2500mm	3020mm
C	Nominal Curtain Diameter	372mm	408mm	444mm
D	Minimum Headroom	338mm	384mm	420mm
E	Minimum Sideroom (eS)	Opener side room 125mm		Non motor side 95mm
	Minimum Sideroom (eD)	Opener side room 140mm		Non motor side 140mm